

WIRE ROPE TERMINALS

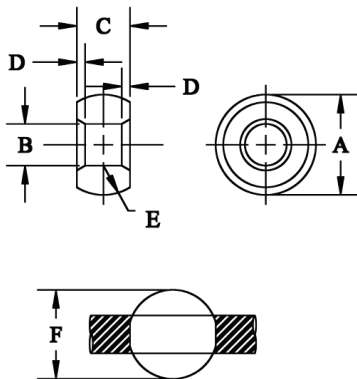
Plain Ball BA3

CORROSION-RESISTANT STEEL

SPECIFICATIONS



BA-3



MS Part No.	Cable Diameter	A	B	C	D	E	F Sphere Dia	Min. Breaking Strength Lbs.	Lbs. per Piece
BA3-1	1/32	.211 .208	.048 .045	.141 .137	.026 .016	.083 .073	.1905 .1875	88	0.002
BA3-1.5	3/64	.211 .208	.057 .053	.141 .137	.026 .016	.083 .073	.1905 .1875	215	0.0019
BA3-2	1/16	.211 .208	.076 .073	.141 .137	.026 .016	.083 .073	.1905 .1875	385	0.0017
BA3-3	3/32	.288 .284	.106 .102	.174 .170	.041 0.31	.099 .089	.253 .250	735	0.004
BA3-4	1/8	.355 .351	.143 .139	.190 .184	.041 .031	.142 .132	.317 .312	1,200	0.006
BA3-5	5/32	.429 .425	.175 .171	.227 .222	.041 .031	.170 .160	.380 .375	1,680	0.009
BA3-6	3/16	.498 .493	.207 .203	.264 .259	.041 .031	.197 .187	.442 .437	2,520	0.01
BA3-7	7/32	.560 .555	.238 .233	.3025 .2975	.041 .031	.220 .210	.505 .500	2,800	0.0143
BA3-8	1/4	.629 .624	.269 .264	.3395 .3345	.050 .040	.247 .237	.567 .562	3,500	0.0204

Loos & Co. BA3 same as Boeing BACT14B and NAS 494.

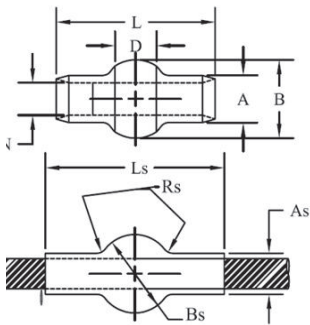
Double Shank Ball MS20663

CORROSION-RESISTANT STEEL

SPECIFICATIONS



MS20663

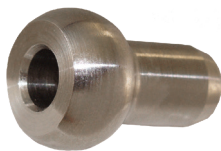


MS Part No.	Cable Dia.	A Dia.	As Dia.	B Dia.	Bs Spherical Dia.	D	L ±.0075	Ls Ref.	N Dia.	Rs Ref Rad.	Lbs. Per Piece
MS20663C2	1/16	.127	.112	.207	.190	.114	.362	.390	.073	.014	.0016
MS20663C3	3/32	.163	.143	.277	.253	.152	.525	.578	.104	.019	.0032
MS20663C4	1/8	.218	.190	.345	.315	.1895	.688	.765	.139	.023	.0094
MS20663C5	5/32	.254	.222	.419	.379	.227	.850	.953	.169	.028	.0125
MS20663C6	3/16	.293	.255	.487	.442	.264	1.012	1.140	.201	.033	.025
MS20663C7	7/32	.347	.302	.555	.505	.3025	1.175	1.328	.233	.038	.032
MS20663C8	1/4	.401	.348	.624	.567	.3395	1.337	1.515	.264	.042	.040
MS20663C9	9/32	.439	.382	.694	.632	.3775	1.497	1.719	.297	.046	.042
MS20663C10	5/16	.475	.413	.763	.694	.4145	1.664	1.875	.328	.046	.043

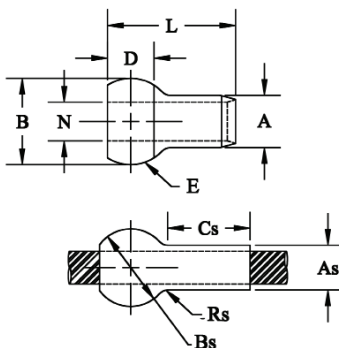
Single Shank Ball MS20664

CORROSION-RESISTANT STEEL

SPECIFICATIONS



MS20664



MS Part No.	Cable Dia.	A Dia.	As Dia.	B Dia.	Bs Spherical Dia.	Cs Ref.	D Ref.	E Rad Ref	L	N Dia.	Rs Ref Rad	Lbs. Per Piece
664-C1.5	3/64	.132	.112	.212	.160	.156	.114	.0825	.2685	.053	.014	.00132
MS20664C2	1/16	.132	.112	.212	.190	.156	.114	.0825	.2685	.073	.014	.0012
MS20664C3	3/32	.168	.143	.282	.253	.234	.152	.110	.384	.104	.019	.005
MS20664C4	1/8	.223	.190	.350	.315	.313	.1895	.137	.500	.139	.023	.0075
MS20664C5	5/32	.259	.222	.424	.379	.391	.2275	.165	.616	.169	.028	.01
MS20664C6	3/16	.298	.255	.492	.442	.469	.2645	.192	.730	.201	.033	.015
MS20664C7	7/32	.352	.302	.560	.505	.547	.3025	.220	.846	.233	.038	.025
MS20664C8	1/4	.406	.348	.629	.567	.625	.3395	.247	.962	.264	.042	.03
MS20664C9	9/32	.444	.382	.699	.632	.750	.3775	.275	1.078	.297	.046	.05
MS20664C10	5/16	.480	.413	.768	.694	.813	.4145	.302	1.193	.328	.046	.066
664C12	3/8	.553	.476	.903	.820	.935	.489	.357	1.425	.411	.061	.0874

Loos & Co., Inc. is a Qualified Producer (QPL) of MS Fittings and listed in QPL-781 & QPL-8878.
We also manufacture swaging equipment capable of swaging to meet
MIL-DTL-781, MIL-DTL-6117, and MIL/SAE AS10081