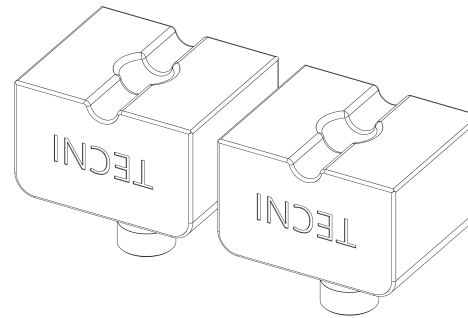
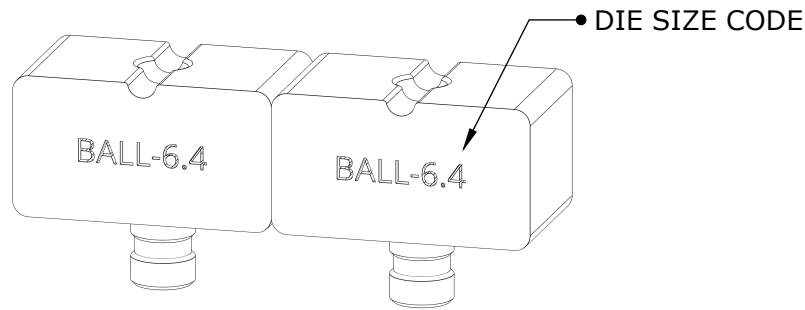
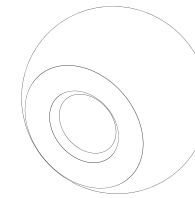


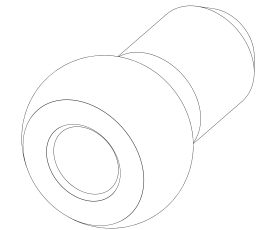
DIES FOR STEEL BALL & SHANK BALL TYPE SWAGE FITTINGS BA-3 (BALL), MS20664 (SINGLE SHANK BALL) FOR THE SIZES SHOWN IN THE TABLE.



BALL PROFILE



BA3 BALL



MS20664 SINGLE SHANK BALL

PARTCODE	DIE SIZE CODE	BA3 FITTING CODES	MS20664 FITTING CODES
101.120.048	BALL-4.8	127.000.010 BA3-1 (0.8mm, 1mm, 1/32" & 3/64" Cable), 127.000.012 BA3-1.5 (1.2mm, 1.25mm. & 3/64" Cable), 127.000.015 BA3-2 (1.5mm & 1/16" Cable)	127.206.642 MS20664-C2 (1.5mm & 1/16" Cable)
101.120.064	BALL-6.4	127.000.020 BA3-3 (2mm, 2.5mm, 5/64" & 3/32" Cable)	127.206.643 MS20664-C3 (2mm, 2.5mm, 5/64" & 3/32" Cable)